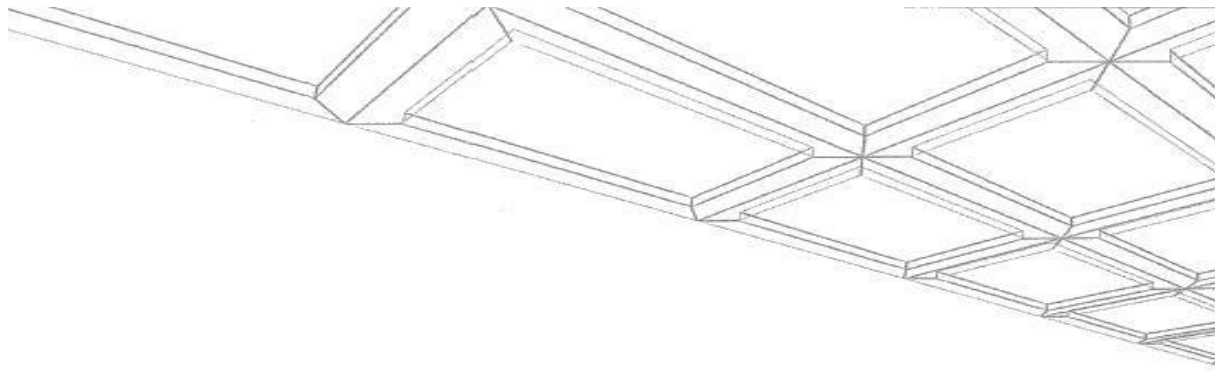




AT ARIZONA BILTMORE

A TASTEFUL HISTORY



BEERS

BOTTLED BEER

DOMESTIC | 6.5

BUD LIGHT

FOUR PEAKS LAGER

SIERRA NEVADA KELLERWEISS

MODERN TIMES FRUITLANDS GOSE

MICHELOB ULTRA

IMPORTS | 7.5

HEINEKEN

DOS XX

CORONA EXTRA

SAMUEL SMITH ORGANIC

CIDER

GUINNESS

DRAFT BEER

16 OZ – 7.5 | 20 OZ – 10

HUSS PEACH BOURBON ALE 4.9%

STELLA ARTOIS 5%

GOOSE ISLAND ROTATING

FOUR PEAKS RAJ IPA 5.6%

SAN TAN ROTATING

SAN TAN DEVIL PALE ALE 5.5%

FOUR PEAKS ROTATING

LA CUMBRE A SLICE OF HEFE 6%

FOUR PEAKS KILT LIFTER 6%

O.H.S.O. BOOM DYNAMITE IPA 7.2%

11TH HANDLE See your Server for details

NITRO HANDLE FOUR PEAKS OATMEAL STOUT 7.6%

FLIGHTS OF FOUR: 8.00

FOUR, 4 OUNCE POURS OF ANY OF OUR DRAFT SELECTIONS

COCKTAILS

THE LAST WRIGHT 16 - CRUZAN SINGLE BARREL, PASSION FRUIT, CRÈME DE BANANA, GRAPEFRUIT

BARREL AGED "ANCHO FASHIONED" 16 - Sauza Tequila, Ancho Reyes, Rich Simple, Bitters

RITA 2400 14 - Sauza Blue, Campari, Grapefruit, Lime

OCATILLA DELIGHT 14 - Black Strap Rum, AZB Bitter, Pineapple, Lime, Simple

MULE OF THE WEEK 14 - See Server for this week's selection

THE BILTMORE ORIGINAL TEQUILA SUNRISE 14 - Hornitos, Crème de Cassis, Lime, Club Soda

MIDNIGHT SKIES 14 - Thyme infused Lillet Blanc, Prosecco, Crème de Violet

FIERY ENGLISHMAN 16 - Gin, Honeydew Shrub, Cucumber, Cayenne

BOURBON BLOCK 16 - Knob Creek Single Barrel, Pear, Walnut Liqueur, Bitters, Absinthe Rinse

WINE BY THE GLASS

5 OZ	BTL	BUBBLES	
10	48	Stella di Anselmi, Prosecco, Veneto, IT	
13	62	Domaine Chandon, Brut, Napa Valley, CA, NV	
18	88	Étoile, Rosé , Napa Valley, CA, NV	
29	140	Veuve Clicquot, Yellow Label, Champagne, France, NV	
6 OZ	9 OZ	LIGHT WHITES	
11	16	42	Ponzi, Pinot Gris, Willamette Valley, OR
10	14	38	Chateau Ste. Michelle, Eroica, Riesling, Columbia Valley, WA
14	20	54	Terlato, Pinot Grigio, Friuli, IT
		SAUVIGNON BLANC	
13	18	50	Matanzas Creek, Sauvignon Blanc, Sonoma County, CA
15	21	58	Cloudy Bay, Sauvignon Blanc, Marlborough, NZ
		CHARDONNAY	
11	16	42	Wente, Morning Fog, Livermore Valley, CA
13	18	50	Mer Soleil, Reserve, Santa Lucia Highlands, CA
18	25	70	Olivier Leflaive, Les Setilles, Burgundy, FR
		ROSÉ	
13	18	50	Elouan, Pinot Noir, Rosé, OR
		PINOT NOIR	
12	17	46	Domaine Matrot, Bourgogne Rouge, Burgundy, FR
16	23	62	La Crema, Sonoma Coast, CA
18	25	70	Soter Vineyards 'North Valley' Willamette Valley, OR
		WORLDLY REDS	
13	18	50	Caymus, Conundrum, Red Blend, Napa Valley, CA
12	17	46	Bodega Norton, Reserva, Malbec, Mendoza, ARG
11	16	42	Breca, Garnacha, Catalyud, SP
16	23	62	Torres 'Celeste' Crianza, Tempranillo, Ribera del Duero, SP
		CABERNET AND FRIENDS	
8	12	30	Hidden Crush, Cabernet Sauvignon, CA
15	21	58	Ferrari-Carano, Merlot, Sonoma County, CA
16	23	62	Querciabella 'Mongrana' Cabernet Sauvignon Blend, Tuscany, IT
11	15	42	Columbia Crest, H3, Cabernet Sauvignon, Horse Heaven Hills, WA
15	21	58	Oberon, Cabernet Sauvignon, Napa County, CA
19	27	74	Conn Creek, Cabernet Sauvignon, Napa Valley, CA

SPIRITS

TEQUILAS

Casamigos Reposado
Casamigos Anejo
Casamigos Blanco
Don Julio Reposado
Don Julio Anejo
Don Julio Blanco
Patron Reposado
Patron Anejo
Patron Blanco
Cruz Silver
El Silencio Mezcal
El Joven Mezcal

WHISKEYS

Suntory Toki
Yamazaki 12yr
Chivas 12yr
Jack Daniels Single Barrel
Gentleman Jack
Jameson
Crown Royal Reserve
Canadian Club

BOURBONS

Angel's Envy
Maker's 46
Basil Hayden
Knob Creek Single Barrel
Willet Copper Still
Bulleit
Woodford Reserve
Noah's Mill
Russel's
Angel's Envy Rye
Basil Hayden Rye
Knob Creek Rye
Bulleit Rye
Sazerac Rye
E.H. Taylor Rye

SCOTCHES

Macallan 12yr
Macallan 15yr
Macallan 18yr
Aberlour
Glenfiddich
Glenmorrangie
Glenlivet 12yr
Talisker 10yr
The Dalmore
Balvenie 12yr
Johnnie Walker Black
Johnnie Walker Gold
Dewars Signature
Laphroaig